

## DIMENSIONS

Table 1 Outline Drawings

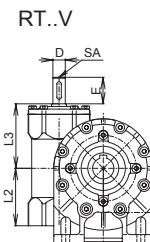
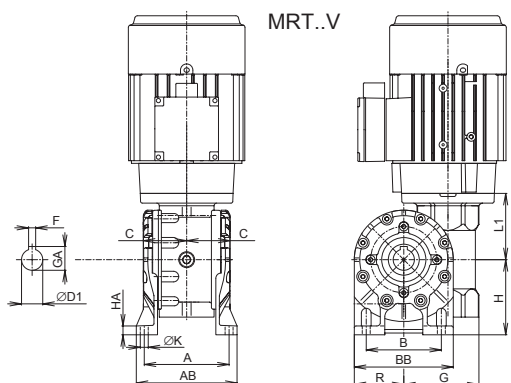
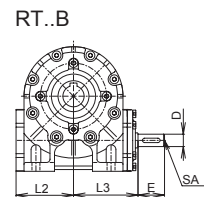
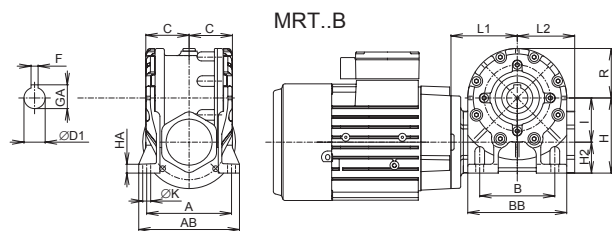
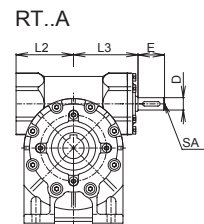
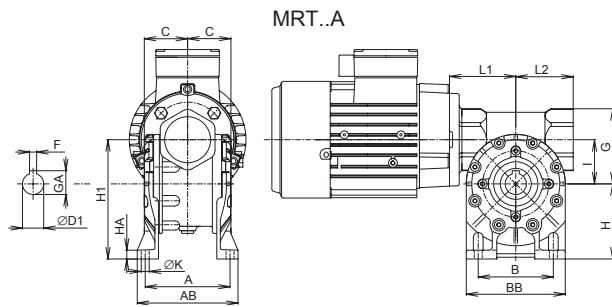
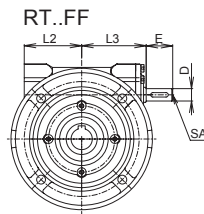
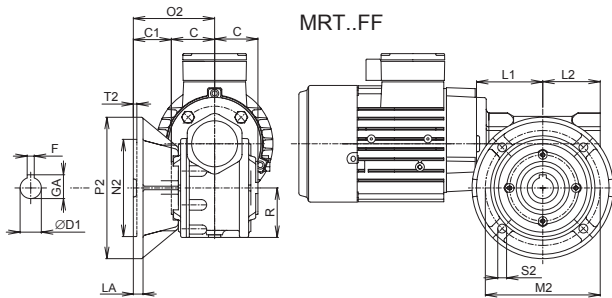
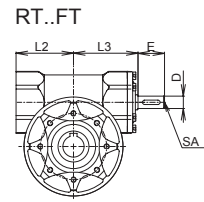
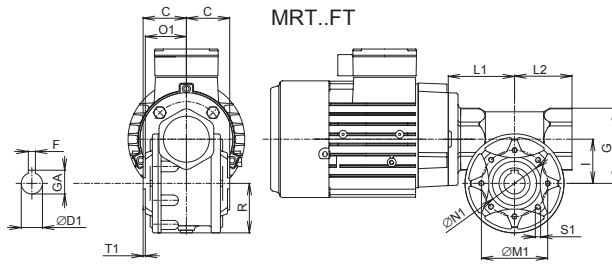
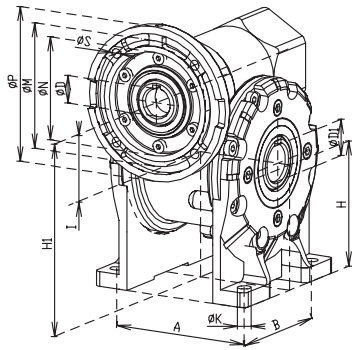
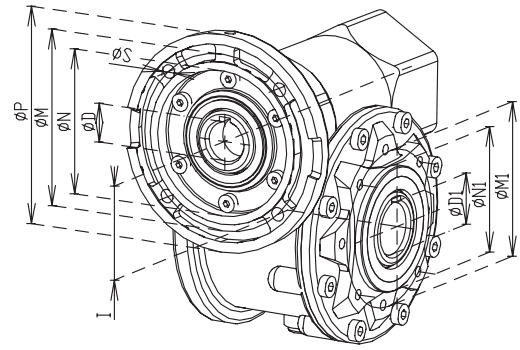


Table 2 Outline Drawings

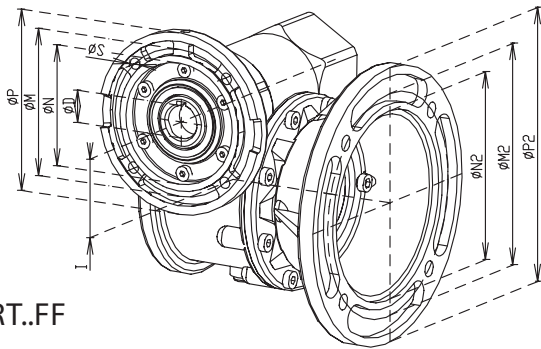
MRT..A



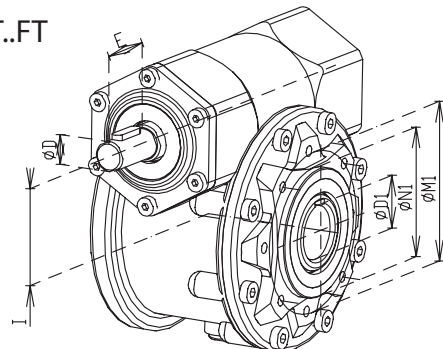
MRT..FT



MRT..FF

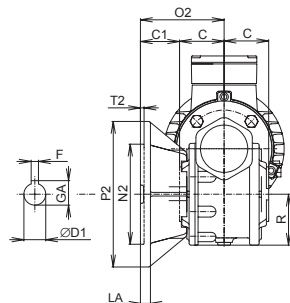


RT..FT

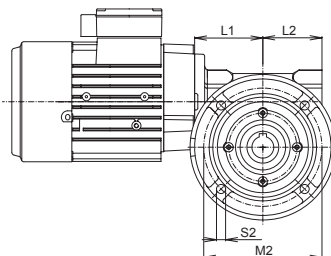


Size	A	AB	B	BB	C	D1H7	Dk6	E	F	GA	G	H	H1	H2	HA	I	K	R
(M)RT 30A	66	80	50+55	82	31.5	14	9	20	5	16.3	51	52	82	22	6	30	7	42
(M)RT 40A	84	100	70	96	41.0	19	11	23	6	21.8	70	71	111	31	8	40	7	48
(M)RT 50A	96	114	85	112	49.0	24	14	30	8	27.3	84	85	135	35	10	50	9	56
(M)RT 60A	111	137	95	140	60.0	25	19	40	8	28.3	99	100	160	40	12	60	11	70
(M)RT 70A	115	141	120	156	60.5	28	19	40	8	31.3	109	115	185	45	12	70	11	76
(M)RT 80A	147	180	140	180	70.0	35	24	50	10	38.3	128	142	222	62	13	80	11	90

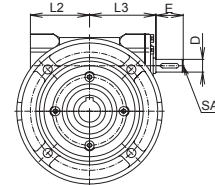
Size	C1	L1	L2	L3	LA	SA	M1	N1	O1	S1	T1	M2	N2	P2	O2	S2	T2
(M)RT 30A	18.5	55	46	48	6	M3x9	65	55	29.0	M6x7	2.5	65	50	80	50.0	6.5	4
(M)RT 40A	41.0	65	57	63	11	M4x10	65	50	38.5	M6x12	2.5	115	95	140	82.0	9.0	4
(M)RT 50A	43.0	75	65	73	11	M5x12	75	60	46.5	M6x12	2.5	130	110	160	92.0	10.0	4
(M)RT 60A	42.0	93	75	91	12	M6x16	85	70	57.5	M6x12	2.5	165	130	200	102.0	11.0	4
(M)RT 70A	51.0	101	81	99	12	M6x16	100	80	57.0	M8x16	3.5	165	130	200	111.5	11.0	5
(M)RT 80A	50.0	110	95	108	12	M8x19	130	110	66.5	M10x16	3.5	165	130	200	120.0	11.0	5



MRT..FB



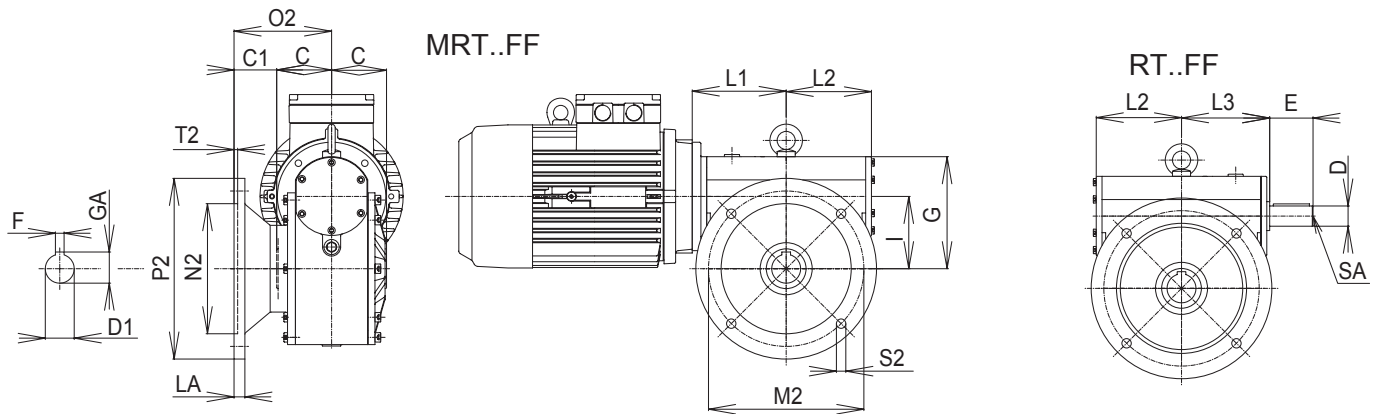
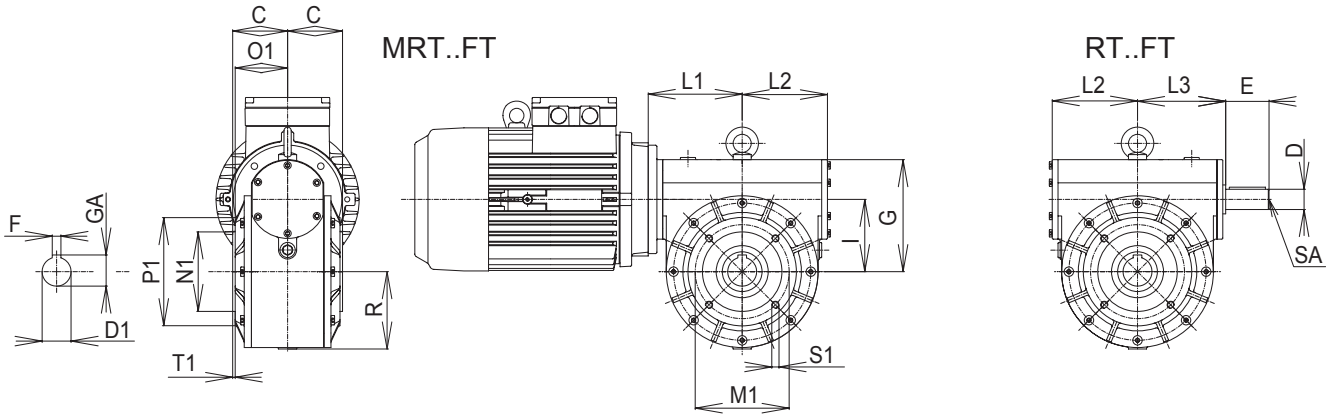
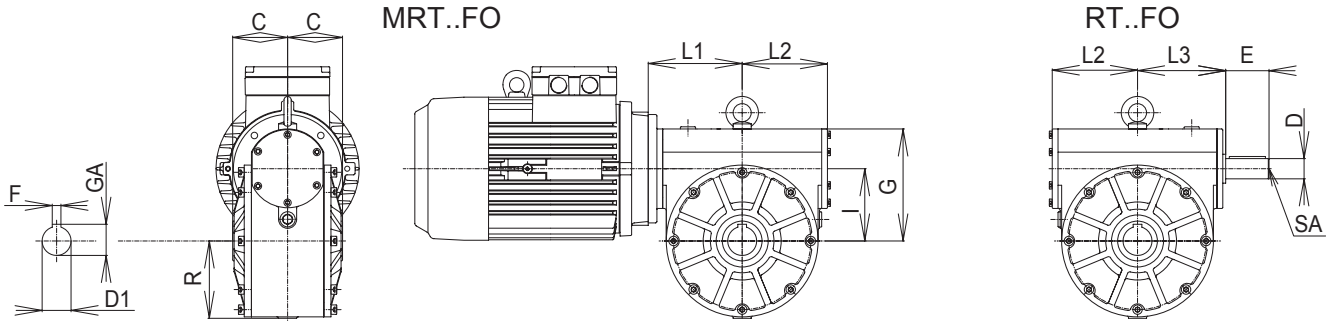
RT..FB



Size	A	AB	B	BB	C	D1H7	Dk6	E	F	GA	G	H	H1	H2	HA	I	K	R
(M)RT 30A	66	80	50+55	82	31.5	14	9	20	5	16.3	51	52	82	22	6	30	7	42
(M)RT 40A	84	100	70	96	41.0	19	11	23	6	21.8	70	71	111	31	8	40	7	48

Size	C1	L1	L2	L3	LA	M2	N2	P2	O2	S2	T2						
(M)RT 30A	33.5	55	46	48	7	75	60	90	65.0	6.5	4						
(M)RT 40A	56.5	65	57	63	7	75	60	95	97.5	6.5	4						

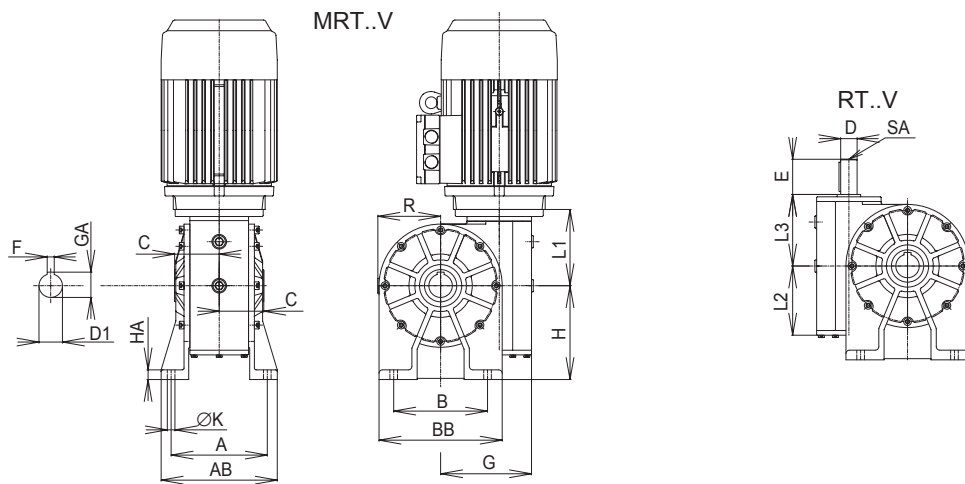
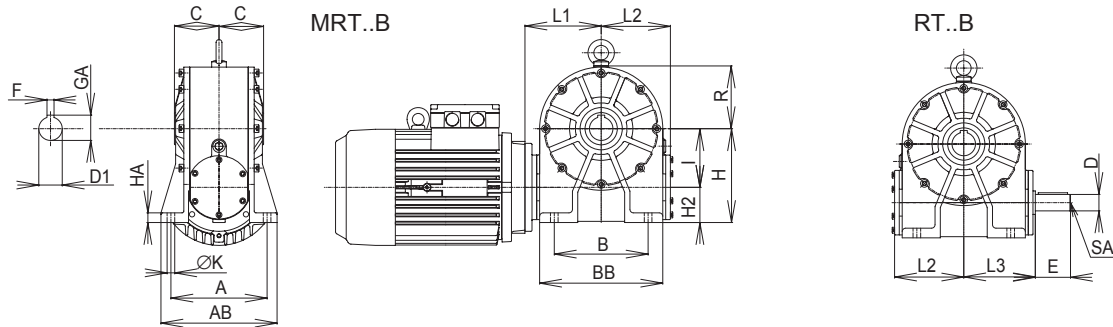
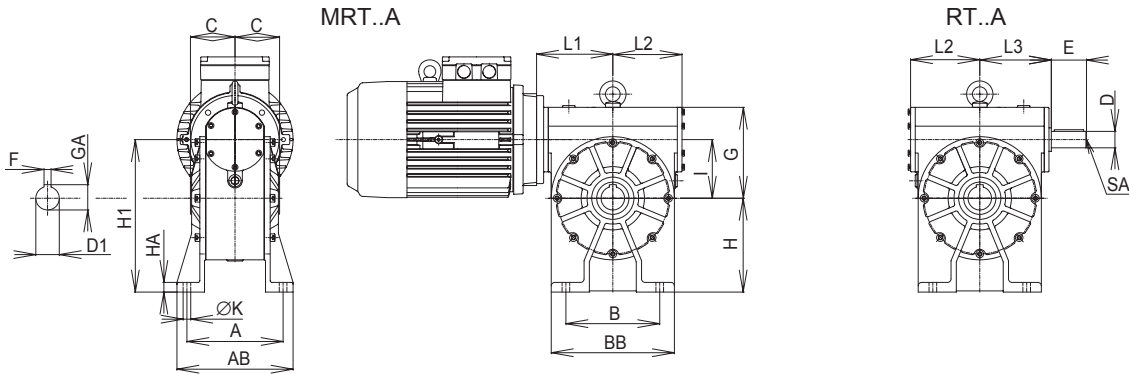
Table 3 Outline Drawings



Size	A	AB	B	BB	C	D1H7	Dk6	E	F	GA	G	H	H1	H2	HA	I	K	R
(M)RT 100A	164	198	160	210	76	40	28	60	12	43.3	147	160	260	60	16.5	100	13	107
(M)RT 120A	180	216	200	250	86	45	38	80	14	48.8	175	185	305	65	18.0	120	15	128
(M)RT 150A	220	260	270	340	110	55	42	110	16	59.0	219	230	380	80	20.0	150	19	160
(M)RT 180A	264	318	300	370	132	60	48	110	18	65.2	264	280	460	100	22.0	180	22	189

Size	C1	L1	L2	L3	LA	SA	M1	N1	O1	S1	T1	M2	N2	P2	O2	S2	T2
(M)RT 100A	59	130	117	122	15	M8×19	130	110	72.5	M10×20	5	215	180	250	135	13	3.5
(M)RT 120A	59	152	138	144	15	M10×22	165	130	80.5	M12×25	5	215	180	250	145	13	3.5
(M)RT 150A	98	188	171	179	20	M12×25	215	180	106.0	M14×25	6	300	250	350	208	17	4.0
(M)RT 180A	88	223	202	218	20	M16×25	265	230	129.0	M16×25	5	300	300	400	220	18	4.0

Table 4 Outline Drawings



Size	A	AB	B	BB	C	D1H7	Dk6	E	F	GA	G	H	H1	H2	HA	I	K	R
(M)RT 100A	164	198	160	210	76	40	28	60	12	43.3	147	160	260	60	16.5	100	13	107
(M)RT 120A	180	216	200	250	86	45	38	80	14	48.8	175	185	305	65	18.0	120	15	128
(M)RT 150A	220	260	270	340	110	55	42	110	16	59.0	219	230	380	80	20.0	150	19	160
(M)RT 180A	264	318	300	370	132	60	48	110	18	65.2	264	280	460	100	22.0	180	22	189

Size	C1	L1	L2	L3	LA	SA	M1	N1	O1	S1	T1	M2	N2	P2	O2	S2	T2
(M)RT 100A	59	130	117	122	15	M8×19	130	110	72.5	M10×20	5	215	180	250	135	13	3.5
(M)RT 120A	59	152	138	144	15	M10×22	165	130	80.5	M12×25	5	215	180	250	145	13	3.5
(M)RT 150A	98	188	171	179	20	M12×25	215	180	106.0	M14×25	6	300	250	350	208	17	4.0
(M)RT 180A	88	223	202	218	20	M16×25	265	230	129.0	M16×25	5	300	300	400	220	18	4.0